

**WAFCC
WESTERN AUSTRALIAN FEMALE CRICKET COUNCIL (INC)**



WAFCC
WESTERN AUSTRALIAN
FEMALE CRICKET COUNCIL (INC.)

GENERAL RULES ANNEXURE A:

A GRADE ONE-DAY (LIMITED OVERS) COMPETITION PLAYING CONDITIONS

23 August 2016

ONE DAY (LIMITED OVERS) SENIOR COMPETITION PLAYING CONDITIONS

DEFINITIONS AND INTERPRETATION	2
1. PLAYERS.....	3
3. UMPIRES	3
4. SCORERS	4
5. THE BALL	4
6. THE BAT	4
7. THE PITCH.....	4
9. CREASES AND MARKING OUT	5
10. PREPARATION OF PLAYING AREA.....	6
11. COVERING THE PITCH.....	6
12. INNINGS.....	6
15. INTERVALS	8
16. START AND END OF PLAY	8
17. PRACTICE ON THE FIELD.....	9
21. THE RESULT	9
24. NO BALL AND FREE HIT	11
25. WIDE BALL.....	11
41. FIELDERS (POWERPLAYS)	11
42. FAIR AND UNFAIR PLAY.....	13

DEFINITIONS AND INTERPRETATION

In these Playing Conditions:

- (a) "Fielding Restriction Area" is the area defined in clause 9.4 below.
- (b) "General Rules" means the "WAFCC General Rules for Female Cricket Competitions (Affiliated Clubs)".
- (c) Terms also defined in the General Rules will have the same meaning as in the General Rules.
- (d) "GWL" means interruptions for ground, weather or light, beyond the control of the two teams.
- (e) "One Day Match" means a match played in one day, with one innings and a maximum of 50 overs in each innings, in accordance with these Playing Conditions.
- (f) A reference to a Law or to the Laws of Cricket is a reference to the Laws of Cricket as defined in the General Rules.

- (g) A footnoted reference to or summary of one of more Laws of Cricket is for the assistance of the Players and Umpires only, and at all times reference should be made to the text of the Laws of Cricket.
- (h) These match rules are to be read together with the WAFCC General Rules for Female Cricket Competitions (Affiliated Clubs).
- (i) The Laws of Cricket will apply to WAFCC One Day Matches except as altered by these Playing Conditions.
- (j) All references to 'Governing Body' within the Laws of Cricket shall be replaced by 'WAFCC'.
- (k) Omitted clause numbers are intentional, to align with the Laws of Cricket.

PART 1: PLAYERS AND OFFICIALS

1. PLAYERS

- 1.1 Law 1 will apply, subject to this clause.
- 1.2 All Players in the match must be qualified to play under the General Rules.
- 1.3 The colours and design of the clothing shall be uniform for all members of the same team and approved by WAFCC as per the General Rules.
- 1.4 Players must wear white Cricket Clothing and spiked footwear as specified in the General Rules except as modified for WAFCC One Day matches for Senior Competition, where cricket attire must satisfy these requirements:

Cricket Clothing Article	Female A Grade Requirement
Trousers	White or Coloured (all players in team must wear the same)
Shirts	White or Coloured (all players in team must wear the same)
Hats / Helmets	Club
Pullovers	White or Coloured (all players in team must wear the same)
Pads or Pad Covers	White

3. UMPIRES

- 3.1 Law 3 shall apply, subject to this Rule
- 3.2 Law 3.1 is modified as follows: The WAFCC shall appoint all umpires.
- 3.3 Law 3.8 and 3.9 shall apply subject to the following:
 - (a) If the umpires consider the ground is so wet or slippery as to deprive the bowler of a reasonable foothold, the fielders the power of free movement, or the batsmen the ability to play their shots and run between the wickets, then

these conditions shall be regarded as so bad that it would be unreasonable for play to take place.

- (b) The umpires shall disregard any shadow on the pitch from the stadium or from any permanent object on the ground.
- (c) If a shadow from the fielder falls across the striker's half of the pitch, the fielder must remain stationary from the time the bowler commences his run up until the striker has received the ball. In the event of a fielder moving before the striker receives the ball, the umpire shall call and signal 'dead ball' if he considers the striker has been disadvantaged by the action.

3.4 Within 2 days of the match being completed, umpires shall lodge fairest and best votes using the MyCricket system.

4. SCORERS

4.1 Law 4 (Scorers) shall apply, subject to this clause.

4.2 Law 4.1 is modified as follows: At least one person not involved in the match should be appointed scorer for the match, but where this is not possible, and players are required to score, the team's captain and Club officials are to supervise the recording of the score in the scorebooks.

4.3 Clubs must comply with the WAFCC policies and guidelines published from time to time regarding the keeping of scorebooks and the use of electronic scoring software.

4.4 In the event of a dispute about the score at the conclusion of the match, the books or electronic score data should be delivered to the WAFCC within 2 days of the match to resolve the matter and confirm match points.

PART 2: EQUIPMENT AND LAYING OUT THE PITCH

5. THE BALL

5.1 Law 5 shall apply, subject to this clause.

5.2 Approved balls for One Day (Limited Overs) Matches are as per clause 5.6.2 of the General Rules.

5.3 Law 5.5 will be replaced by the following: In the event of a ball during play being lost or in the opinion of the umpires, being unfit for play through normal use, the umpires shall allow it to be replaced by one that in their opinion has had a similar amount of wear.

6. THE BAT

6.1 Law 6 will apply.

7. THE PITCH

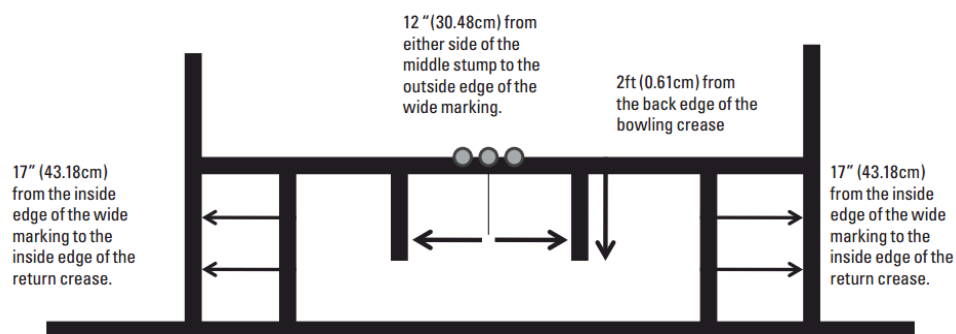
7.1 Law 7 will apply, subject to this clause.

7.2 Matches shall be played on such grounds as arranged by the WAFCC in accordance with the General Rules.

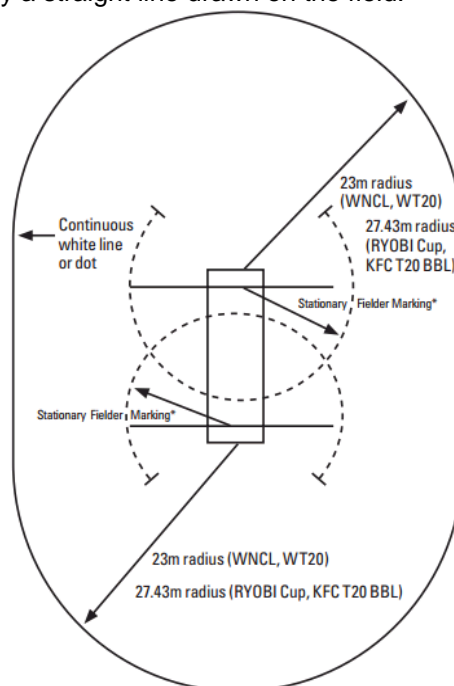
- 7.3 Law 7.4 shall be replaced by the following: If a match is abandoned, the matter will be investigated by the WAFCC in accordance with the procedures for Protests against match results.

9. CREASES AND MARKING OUT

- 9.1 Law 9 (Bowling, Popping and Return Creases) will apply, subject to this clause.
- 9.2 Law 9.3 (the popping crease) shall apply, except that the reference to 'a minimum of 6 ft' shall be replaced by 'a minimum of 13.71 metres (15 yards)'.
- 9.3 For additional crease markings, the following shall apply in addition to Law 9: As a guideline to the umpires for the calling of Wides, the crease markings detailed below shall be marked in white at each end of the pitch.



- 9.4 The ground shall be marked with a single fielding restriction area (Fielding Restriction Area) and Boundary size as follows:
- The Boundary shall be marked 65 metres from the centre of the turf square.
 - The radius of each of the semi-circles is 23 metres
 - The ends of each semi-circle are joined to the other end on the same side of the pitch by a straight line drawn on the field.



10. PREPARATION OF PLAYING AREA

10.1 Law 10 (Preparing and Maintaining the Playing Area) will apply.

11. COVERING THE PITCH

11.1 Law 11 shall apply, subject to this clause.

11.2 Curators are permitted to use Covers at their discretion in order to obtain the best possible pitch preparation.

11.3 Law 11.4 shall be replaced by the following: On match days, all covers (including “hessian” or “scrim” covers used to protect the pitch against the sun) shall be removed not later than 30 minutes before the scheduled start of play provided it is not raining at the time, but they will be replaced if rain falls prior to the commencement of play.

PART 3: STRUCTURE OF THE GAME

12. INNINGS

12.1 Law 12 of the Laws of Cricket shall apply subject to this clause 12.

12.2 Law 12.1 shall be replaced by the following: All matches will consist of one innings per side, each innings being limited to a maximum of 50 six-ball overs for Female A Grade Matches. All matches shall be of one day’s scheduled duration.

12.3 Law 12.2 (Alternate Innings), Law 13 (the Follow on) and Law 14 (Declaration and Forfeiture) shall not apply.

12.4 Law 12.3 (Completed Innings) is modified: Laws 12.3 (c) (declaration), (d) (forfeit) and (e) (ii) (prescribed time) shall not apply.

12.5 Law 12.4 shall be replaced with the following: the Captains shall toss for the choice of innings on the field of play in the presence of the Umpires not earlier than 45 minutes, nor later than 15 minutes, before the scheduled or any rescheduled time for the match to start.

12.6 Before any time is lost by delay or interruption, matches will be conducted as follows:

- (a) Each team shall bat for 50 overs unless all out earlier or a result is achieved. A team shall not be permitted to declare its innings closed.
- (b) If the team fielding first fails to bowl the required number of overs by the scheduled time for cessation of the first innings, play shall continue until the required number of overs has been bowled. The team batting second shall receive its full quota of 50 overs irrespective of the number of overs it bowled in the scheduled time for the cessation of the first innings.
- (c) If the team batting first is dismissed in less than 50 overs, the team batting second shall be entitled to bat for 50 overs.
- (d) If the team fielding second fails to bowl 50 overs by the scheduled cessation time, the hours of play shall be extended until the required number of overs has been bowled or a result is achieved.
- (e) Penalties shall apply for slow over-rates – see clause 12.13.

- 12.7 When playing time has been lost by delay or interruption to the innings of the team batting first, the number of overs to be bowled in the match shall be revised on this basis:
- (a) When calculating the length of playing time available for the match (Remaining Playing Time) the timing and duration of all relative delays, extensions in playing hours, interruptions in play, and intervals, excluding those for drinks, will be taken into consideration.
 - (b) The length of interval between innings to be excluded from the Remaining Playing Time will be calculated as per clause 15.2.
 - (c) The revised number of overs in the match:
 - (i) Will be based on a rate of 3.6 minutes per over for Female A Grade (16.67 overs per hour) for the Remaining Playing Time. If the calculations result in fractions of an over, the fractions shall be ignored.
 - (ii) Will be used to specify a fixed time for the commencement of the interval, and also the close of play for the match, by applying a rate of 16.67 overs per hour. The close of play must not be earlier than the original time for cessation of play. If required, the original time shall be extended to allow for one extra over per team.
 - (iii) Will be divided so that each team should have the opportunity of batting for the same number of overs.
 - (d) Once the number of overs has been revised and play recommences, if the team fielding first fails to bowl the revised number of overs by the specified time, play shall continue until the required number of overs have been bowled or the innings is completed.
 - (e) The team batting second shall not bat for a greater number of overs than the first team unless the latter completed its innings in less than its allocated overs.
 - (f) To constitute a match, a minimum of 15 overs have to be bowled to the side batting second, subject to a result not being achieved earlier.
 - (g) Penalties shall apply for slow over-rates – see clause 12.13.
- 12.8 When playing time has been lost by delay or interruption to the Innings of the team batting second and, as a result, it is not possible for the team batting second to have the opportunity of receiving its allocated, or revised allocation of overs in the playing time available:
- (a) The number of scheduled overs shall be reduced at a rate of 16.67 overs per hour in respect of the lost playing time. Should the calculations result in a fraction of an over the fraction shall be ignored.
 - (b) The timing and duration of all relative delays, extensions in playing hours and interruptions in play, will be taken into consideration in calculating the remaining time available for play (Remaining Playing Time). If the innings of the team batting first was completed prior to the scheduled, or re-scheduled time for the commencement of the interval, then the Remaining Playing Time shall take into account the time by which the second innings started early and any permitted extension of play under clause 12.9.
 - (c) A fixed time will be specified for the close of play by applying a rate of 16.67 overs per hour to the Remaining Time.
 - (d) To constitute a match, a minimum of 15 overs have to be bowled to the team batting second subject to a result not being achieved earlier. The team batting

second shall not bat for a greater number of overs than the first team unless the latter completed its innings in less than its allocated overs.

(e) If the team fielding second fails to bowl the revised overs by the scheduled or re-scheduled close of play, the hours of play shall be extended until the overs have been bowled or a result achieved.

(f) Penalties shall apply for slow over rates – see clause 12.13.

12.9 If due to GWL, there is a delay in the commencement of the innings of the team batting second, play can be extended by the lost time up to 60 minutes, but play shall not cease later than 6.30pm.

12.10 No bowler shall bowl more than 10 overs in an innings. In a match where overs are reduced, the maximum overs per bowler shall be one-fifth of the total overs allowed. Where the total overs is not evenly divisible by five, bowlers will also be allowed to complete the remaining deliveries in any incomplete over allowed under this clause.

12.11 In the event of a bowler breaking down and being unable to complete an over, the remaining balls will be allowed by another bowler. Such part of an over will count as a full over only in so far as each bowler's limit is concerned.

12.12 The umpire shall record the total number of overs bowled and the number of overs bowled by each bowler.

12.13 Unless determined otherwise by the umpires, a penalty of six runs per over shall be awarded to the batting side for each over short of the required number at the scheduled, or rescheduled, cessation time. The over in progress at the cessation time shall count as a complete over. This penalty will be applied at the completion of the innings.

15. INTERVALS

15.1 Law 15 of the Laws of Cricket shall apply except as modified by this clause.

15.2 If the innings of the team batting first is completed by the scheduled time for the interval, the interval shall take place immediately and the innings of the team batting second will commence correspondingly earlier.

15.3 The interval between innings will be 30 minutes, but the length of the interval will be reduced to a 10 minute interval if more than 60 minutes are lost.

15.4 The provisions of Law 15.9 (Intervals for Drinks) apply except that under conditions of extreme heat the umpires may permit extra intervals for drinks. Drinks breaks may be taken by agreement of the captains (or in the case of the batting side, the batsmen at the wicket), but each drinks break shall not exceed 5 minutes.

16. START AND END OF PLAY

16.1 Law 16 will apply subject to this clause.

16.2 There will be two sessions of 180 minutes each, separated by a 30 minute interval between innings.

16.3 Unless advised otherwise by the WFCCC in the fixtures or otherwise prior to the start of the match, matches will commence at 11:00am and session times will be as follows:

Female A Grade 50 Over

(a) 11.00am – 2.00pm

(b) 2.30pm – 5.30pm

16.4 Laws 16.6, 16.7 and 16.8 do not apply.

16.5 Laws 16.9, 16.10 and 16.11 shall apply in so far as they are relevant to a one innings limited overs type match.

17. PRACTICE ON THE FIELD

17.1 Practice on the Field restriction (Law 17) will apply.

PART 4: SCORING AND WINNING

Laws of Cricket for Scoring Runs (Law 18), Boundaries (Law 19), Lost Ball (Law 20), the Over (Law 22) and Dead Ball (Law 23) will apply without modification.

Law 22 to 40 of the Laws of Cricket (The Over, Dead Ball, No Ball, Wide Ball, Dismissal, Ways Batsman May Get Out) continue to apply

Laws 21, 24 and 25 related to scoring and winning, and Laws 41 (Fielding) and 42 (Fair and unfair Play) are amended as follows.

21. THE RESULT

21.1 Law 21 of the Laws of Cricket shall apply as applicable for a one innings match, as varied by this clause.

21.2 A result can only be achieved in a match if each team has had the opportunity to bat for a minimum of 15 overs, notwithstanding one or both teams had been dismissed in fewer than 15 overs. A match shall be declared a draw if both teams have not had the opportunity to bat for a minimum of 15 overs, because –

(a) the innings of the team batting first could not commence by 3.32pm;

(b) the innings of the team batting second could not commence by 5.36pm;

(c) the innings of the team batting second would be reduced to less than 15 overs as a result of an interruption to play after its commencement.

21.3 If, due to suspension of play after the start of the match, the number of overs in the innings of either team has to be revised to a lesser number than originally allotted, then a revised target score (to win) should be set for the number of overs which the team batting second will have the opportunity of facing (subject to clause **Error! Reference source not found.**). This revised target is to be calculated using the current Duckworth/Lewis method. The target set will always be a whole number and one run less will constitute a Tie.

21.4 If the innings of the side batting second is suspended and it is not possible for the match to be resumed, the match will be decided by comparison with the D/L Par Score determined at the instant of the suspension by the Duckworth/Lewis method (subject to clause **Error! Reference source not found.**). If the score is equal to the par score, the match is a Tie. Otherwise the result is a victory, or defeat, by the margin of runs by which the score exceeds, or falls short of, the Par Score.

21.5 Law 21.4 (agreement under Law 12.2(b)) shall not apply.

21.6 Interrupted or Prematurely Terminated Matches – Calculation of Target score

(a) Interrupted Matches – Calculation of the Target Score

If, due to suspension of play after the start of the match, the number of overs in the innings of either team has to be revised to a lesser number than originally allotted (minimum of 15 overs), then a revised target score (to win) should be set for the number of overs which the team batting second will have the opportunity of facing. This revised target is to be calculated using the current Duckworth/Lewis method. The target set will always be a whole number and one run less will constitute a Tie.

(b) Prematurely Terminated Matches

If the innings of the side batting second is suspended (with at least 15 overs) and it is not possible for the match to be resumed, the match will be decided by comparison with the Par Score determined at the instant of suspension by the Duckworth/Lewis method. If the score is equal to the Par Score, the match is a Tie. Otherwise the result is a victory, or defeat by the margin of runs by which the score exceeds, or falls short of, the Par Score.

21.7 Law 21.5(a) (a tie or draw) is modified as follows: In matches in which both teams have had the opportunity of batting for the agreed number of overs, the team scoring the higher number of runs shall be the winner. If the scores are equal, the result shall be a tie and no account shall be taken of the number of wickets which have fallen.

21.8 For the purpose of the Ladder and ranking for Finals, teams may be awarded points for each of the following outcomes:

(a) A draw in one day cricket will be given the same points as a tie given the match cannot be replayed.

Result	Result points	Total Points
Win	10	10
Loss	0	0
Draw (abandonment) / Tie	5	5

21.9 Bonus Points

(a) The team that wins the match and achieves a run rate of 1.25 times that of the opposition shall be awarded one bonus point i.e. the team shall receive a total of 11 points (10 points for win, 1 bonus point).

(b) The team that wins the match and achieves a run rate of twice (2 times) that of the opposition shall be awarded an additional 1 bonus point, which is in addition to the bonus point achieved in above i.e. the team shall receive a total of 12 points (10 for win, 1 bonus point and 1 additional bonus point).

(c) A team's run rate will be calculated by reference to the runs scored in an innings divided by the number of overs available

(d) Where matches are shortened and targets revised, bonus run rates and defensive targets are derived as a function of the revised target score (less one run) and maximum overs.

24. NO BALL AND FREE HIT

- 24.1 Law 24.1 (b) shall be replaced by the following: The bowler may not deliver the ball underarm. If a bowler bowls a ball underarm the umpire shall call and signal No ball, and the ball is to be re-bowled overarm.
- 24.2 Law 24.12 (penalty for a no ball) will be amended by adding the following:
- (a) The delivery following a No Ball shall be a free hit for whichever batter is facing it.
 - (b) If the delivery for the free hit is not a legitimate delivery (any kind of No Ball or a Wide Ball) then the next delivery will become a free hit for whichever batter is facing it.
 - (c) For any free hit, the striker can be dismissed only under the circumstances that apply for a No Ball, even if the delivery for the free hit is called Wide Ball.
 - (d) Field changes are not permitted for free hit deliveries unless there is a change of striker (the provisions of clause 41.2 shall apply), or the No Ball was the result of a fielding restriction breach, in which case the field may be changed only to the extent of correcting the breach.
 - (e) The bowler's end umpire will signal a free hit by (after the normal No Ball signal) by extending one arm straight upwards and moving it in a circular motion.

25. WIDE BALL

- 25.1 Law 25 will apply with the following addition to Law 25.1:
- (a) A delivery on the offside is to be called a wide if it passes the striker's stumps outside the wide marking provided the striker maintains a normal batting position and has not brought the ball within reach. If, in the opinion of the umpire, the striker has brought the ball within reach, the offside wide marking shall be disregarded and the umpire shall apply a general interpretation consistent with the normal operation of Law 25.
 - (b) A delivery on the legside is to be called a wide if it passes to the legside of the striker's stumps and the striker's body.
 - (c) A delivery is not to be called a wide if:
 - (i) Law 25.2 applies
 - (ii) The delivery passes to the legside of the striker's stumps between the stumps and the striker's body
 - (iii) The striker moves toward the offside and, in the umpire's opinion, the ball would have made contact with the striker in a normal batting position.
 - (iv) The ball makes contact with the striker's bat or person
 - (v) The batsman switch hits or plays a reverse sweep and the ball goes down her original standing leg side.

41. FIELDERS (POWERPLAYS)

- 41.1 Law 41 is modified as follows.
- 41.2 Restrictions on the Placement of Fielders

- 41.3 In addition to the restriction contained in clause 41.2 above, further fielding restrictions shall apply to certain overs in each innings. The nature of such fielding restrictions shall apply are set out in the following paragraphs.
- 41.4 In these Playing Conditions:
- (a) "Powerplay1" means the first block Powerplay Overs (block of 10 overs for an uninterrupted match) which will be at the commencement of the innings, commencing on the first ball.
 - (b) "Powerplay2" is the second block of Powerplay Overs (blocks of 5 overs for an uninterrupted match), which shall be taken at the discretion of either of the batters at the wicket. In an innings of scheduled duration of between 41 and 50 overs, it may not be completed later than the 40th over. No equivalent restriction applies to an innings of shorter scheduled duration.
- 41.5 At the instant of delivery there may be no more than four fielders outside the Fielding Restriction Area and no more than five fielders on the leg (on) side. In addition to this restriction the following further fielding restrictions apply to the Powerplay Overs:
- (a) during Powerplay1, only 2 fielders shall be permitted outside the Fielding Restriction Area at the instant of delivery;
 - (b) during Powerplay2, only 3 fielders shall be permitted outside the Fielding Restriction Area at the instant of delivery.
- 41.6 In the event of an infringement of the Fielding Restrictions, the umpire shall call and signal "No ball".
- 41.7 Nomination of Powerplay2 by the batting side must be as follows:
- (a) A batter must nominate her team's block of Powerplay Overs no later than the moment at which the umpire reaches the stumps at the bowler's end for the start of the next over.
 - (b) Once a side has nominated a Powerplay block, the decision cannot be reversed.
- 41.8 The commencement of a Powerplay shall be communicated as follows:
- (a) When the batting side has chosen the Powerplay Overs, then the umpire shall indicate this to the fielding captain before the signal to the scorers is made.
 - (b) Should the batting side choose not to exercise their discretion, their Powerplay Overs will automatically commence at the latest available point in the innings (e.g. in a 50 over innings, this will begin at the start of the 36th over).
 - (c) At the commencement of Powerplay2, the umpire shall signal such commencement to the scorers by rotating his arm in a large circle.
- 41.9 In circumstances when the number of overs of the batting team is reduced, the number of overs within each phase of the innings shall be reduced in accordance with the table below. For the sake of clarity, it should be noted that the table shall apply to both the First & Second innings of the match.

Total Overs Per Team	PP1 Overs	PP2 Overs	Total PP Overs	PP2 may start after over	PP2 must end by over	Max overs / bowler
15	3	2	5	3	15	3
16	3	2	5	3	16	4
17	3	2	5	3	17	4
18	3	2	5	3	18	4
19	4	2	6	4	19	4
20	4	2	6	4	20	4
21	4	2	6	4	21	5
22	4	3	7	4	22	5
23	4	3	7	4	23	5
24	4	3	7	4	24	5
25	5	3	8	5	25	5
26	5	3	8	5	26	6
27	5	3	8	5	27	6
28	5	3	8	5	28	6
29	6	3	9	6	29	6
30	6	3	9	6	30	6
31	6	3	9	6	31	7
32	7	3	10	7	32	7
33	7	3	10	7	33	7
34	7	3	10	7	34	7
35	7	4	11	7	35	7
36	7	4	11	7	36	8
37	7	4	11	7	37	8
38	7	4	11	7	38	8
39	8	4	12	8	39	8
40	8	4	12	8	40	8
41	8	4	12	8	40	9
42	9	4	13	9	40	9
43	9	4	13	9	40	9
44	9	4	13	9	40	9
45	9	5	14	9	40	9
46	9	5	14	9	40	10
47	9	5	14	9	40	10
48	10	5	15	10	40	10
49	10	5	15	10	40	10
50	10	5	15	10	40	10

If play is interrupted during an innings and the table in 41.5 applies, the PowerPlay takes immediate effect. For the avoidance of doubt this applies even if the interruption has occurred mid-over.

42. FAIR AND UNFAIR PLAY

42.1 Law 42 will apply, subject to this clause.

42.2 Law 42.6 (a) (Dangerous and unfair bowling) shall be replaced by the following:

(a) A bowler shall be limited to one fast short- pitched delivery per over.

- (b) A fast short-pitched delivery is defined as a ball, which after pitching, passes or would have passed above the shoulder height of the striker standing upright at the crease.
- (c) The umpire at the bowlers end shall advise the bowler and the batsman on strike when each fast short pitched delivery has been bowled.
- (d) In addition, for the purpose of this clause and subject to clause (f) below, a ball that passes above head height of the batsman, that prevents him from being able to hit it with his bat by means of a normal cricket stroke shall be called a Wide.
- (e) For the avoidance of doubt any fast short pitched delivery that is called a Wide under this playing condition shall also count as one of the allowable short pitched deliveries in that over.
- (f) In the event of a bowler bowling more than one fast short-pitched deliveries in an over as defined in clause (b) above, the umpire at the bowler's end shall call and signal No ball on each occasion. A differential signal shall be used to signify a fast short pitched delivery. The umpire shall call and signal No ball and then tap the head with the other hand.
- (g) If a bowler delivers a second fast short pitched ball in an over, the umpire, after the call of No ball and when the ball is dead, shall caution the bowler, inform the other umpire, the captain of the fielding side and the batsmen at the wicket of what has occurred. This caution shall apply throughout the innings.
- (h) If there is a second instance of the bowler being no balled in the innings for bowling more than one fast short pitched delivery in an over, the umpire shall advise the bowler that this is his final warning for the innings. The umpire will also inform the other umpire, the captain of the fielding side and the batsmen at the wicket of what has occurred.
- (i) Should there be any further instance by the same bowler in that innings, the umpire shall call and signal No ball and when the ball is dead direct the captain to take the bowler off forthwith. If necessary, the over shall be completed by another bowler, who shall neither have bowled the previous over, or part thereof, nor be allowed to bowl the next over, or part thereof.
- (j) The bowler thus taken off shall not be allowed to bowl again in that innings.
- (k) The umpire will report the occurrence to the other umpire, the batsmen at the wicket and as soon as possible to the captain of the batting side.
- (l) The umpires will then report the matter to the WAFCC using their match form, who shall take such action as is considered appropriate against the captain and the bowler concerned. Refer also to Law 42.1 - Fair and Unfair Play - Responsibility of Captains.

SPIRIT OF CRICKET

Cricket is a game that owes much of its unique appeal to the fact that it should be played not only within its Laws but also within the Spirit of the Game. Any action which is seen to abuse this spirit causes injury to the game itself. The major responsibility for ensuring the spirit of fair play rests with the captains.

1. There are two Laws which place responsibility for the team's conduct firmly on the captain.

Responsibility of captains

The captains are responsible at all times for ensuring that play is conducted within the Spirit of the Game as well as within the Laws.

Player's conduct

In the event of a player failing to comply with instructions by an umpire, or criticising by word or action the decision of an umpire, or showing dissent, or generally behaving in a manner which might bring the game into disrepute, the umpire concerned shall in the first place report the matter to the other umpire and to the player's captain, and instruct the latter to take action.

2. Fair and unfair play

According to the Laws the umpires are the sole judges of fair and unfair play.

The umpires may intervene at any time and it is the responsibility of the captain to take action where required.

3. The umpires are authorised to intervene in cases of:

Time wasting, Damaging the pitch, Dangerous or unfair bowling, Tampering with the ball, Any other action that they consider to be unfair

4. The Spirit of the Game involves RESPECT for:

Your opponents, Your own captain, The roles of the umpires, The game's traditional values

5. It is against the Spirit of the Game:

To dispute an umpire's decision by word, action or gesture

To direct abusive language towards an opponent or umpire

To indulge in cheating or any sharp practice, for instance:

(a) to appeal knowing that the batsman is not out

(b) to advance towards an umpire in an aggressive manner when appealing

(c) to seek to distract an opponent either verbally or by harassment with persistent clapping or unnecessary noise under the guise of enthusiasm and motivation of one's own side

6. Violence

There is no place for any act of violence on the field of play.

7. Players

Captains and umpires together set the tone for the conduct of a cricket match. Every player is expected to make an important contribution towards this.

© Marylebone Cricket Club

Accessed 16 June 2013

<http://www.lords.org/mcc/mcc-spirit-of-cricket/what-is-mcc-spirit-of-cricket/spirit-of-cricket-preamble-to-the-laws/>